



elite RANGE

The largest of Marco's Elite range, the Elite 60 trunking system has been designed to cope with installations requiring a greater number of power and high density structured cabling systems, such as CAT5E, CAT6, CAT7, Shielded and the new CAT6A 10 gig solution.

The Elite 60's unique top opening lid allows power cables to be installed easily and speedily. Should additional power cable wiring space be required further capacity can be obtained using the optional clip-in divider.

A 50mm minimum bend radius is provided for all Marco Elite 60 data fittings including flat angles, tees, internal and external angles. All cables can be laid into place avoiding the need to thread cables through apertures, thus ensuring that all of the Marco fittings are easy to install and to wire. Screw fit fittings are available if required.

The system has been designed to accommodate up to 50mm socket boxes, complete with large knock-outs, which allows for the use of deeper RJ45 Modules.

The high impact resistant uPVC means the trunking systems are both sturdy and robust.

The trunking is produced from the highest quality uPVC, providing an aesthetically pleasing pure white finish.

An optional pre-punched steel screen divider is available which spans the width of the trunking meeting the requirements for power and data separation (BSEN50174-2)

ELITE 60 meets and exceeds the requirements for (BS6701), ISO/IEC11801(ED2.0 Amd 2) and Cenelec (BSEN50173 Part 1 / 2, BSEN50174-2) standards.

Please contact our Sales Team for further information on the range.



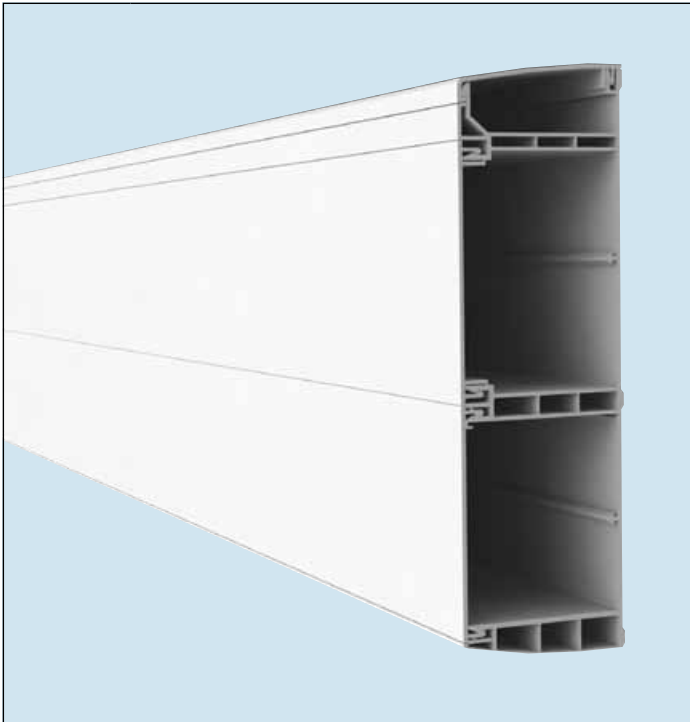
KEY DESIGN FEATURES

- 200mm x 63mm profile
- Manufactured from high impact resistant uPVC compound
- Suitable for Dado or Skirting mounting either vertically or horizontally
- Unique top opening lid
- A shelf can be added to the trunking to allow for additional power cable capacity
- The data compartment can accommodate over 60 Cat-6 data cables, or over 100 Cat-5e
- All lids are rigidly supported and easily snapped into place
- Full range of fittings and accessories
- Flat Tee & Flat Angle with data guide to maintain necessary bend radius
- Internal and External Angles maintain necessary bend radius to comply with CAT5E, CAT6, Shielded, CAT7 and CAT6A 10 gig solutions
- Screw fit fittings available (optional)
- 1 & 2 Gang 50mm boxes with large knock outs
- Pre-Punched Steel Screen Divider (BSEN50174-2)
- DDA Compliancy obtainable
- ROHS Compliant
- ELITE 60 Hygieia Range available – antimicrobial protection
- Available as pre-assembled units

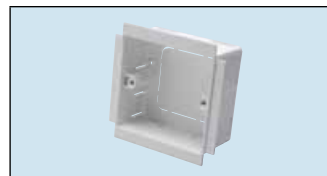


ELITE 60 TRUNKING SYSTEM

accessories



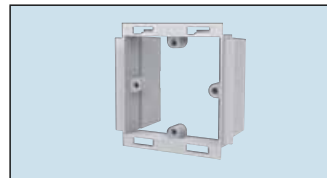
CODE	MT60
DESCRIPTION	MARCO ELITE 60 TRUNKING 200 x 63mm
PACK SIZE	2 x 3m



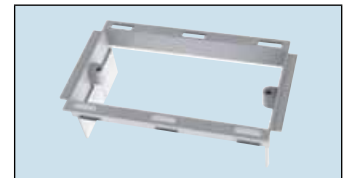
MTSB1
SOCKET MOUNTING BOX 35mm 1-GANG
MTSB1-4
SOCKET MOUNTING BOX 35mm 1-GANG 4 PILLAR
MTSB1-25
SOCKET MOUNTING BOX 25mm 1-GANG
MTSB1-25-4
SOCKET MOUNTING BOX 25mm 1-GANG 4 PILLAR
MTSB1-50
SOCKET MOUNTING BOX 50mm 1-GANG
PACK SIZE: 10



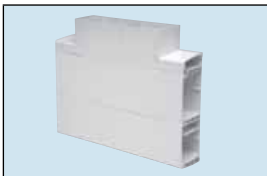
MTSB2
SOCKET MOUNTING BOX 35mm 2-GANG
MTSB2-25
SOCKET MOUNTING BOX 25mm 2-GANG
MTSB2-50
SOCKET MOUNTING BOX 50mm 2-GANG
PACK SIZE: 10



MTSB1-F
1 GANG FRAME
PACK SIZE: 10



MTSB2-F
2 GANG FRAME
PACK SIZE: 10



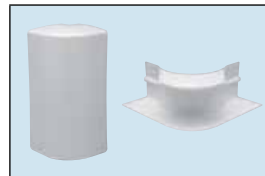
MT60T
FLAT TEE
MT60TD
FLAT TEE - DOWNWARD
PACK SIZE: 1



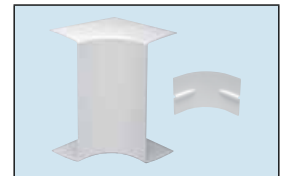
MT60FU
FLAT ANGLE
MT60FD
FLAT ANGLE - DOWNWARD
PACK SIZE: 1



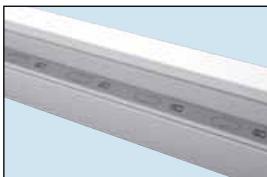
MT60CL
END COVER LEFT HAND
MT60CR
END COVER RIGHT HAND
PACK SIZE: 2



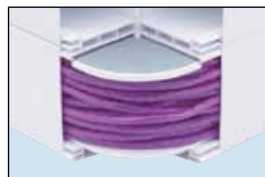
MT60E
EXTERNAL ANGLE
PACK SIZE: 1



MT60I
INTERNAL ANGLE
PACK SIZE: 1



MT60SD
STEEL SCREENING DIVIDER
PACK SIZE: 4 x 1.5m



MT60SDE
EXTERNAL ANGLE SCREENING DIVIDER
PACK SIZE: 1



MTD105
uPVC DIVIDER
PACK SIZE: 16 x 1.5m



MT60J
JOINT COVER
PACK SIZE: 5



MTL5
ACCESSORY SPACER
PACK SIZE: 10



MTDDA1 (BL-CH-LG)
COLOURED BACK PLATE 1-GANG
PACK SIZE: 10



MTDDA2 (BL-CH-LG)
COLOURED BACK PLATE 2-GANG
PACK SIZE: 10

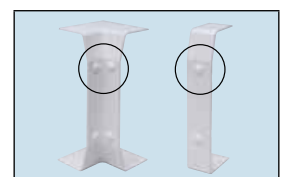


MTCR
CABLE RETAINER
PACK SIZE: 20

NEW

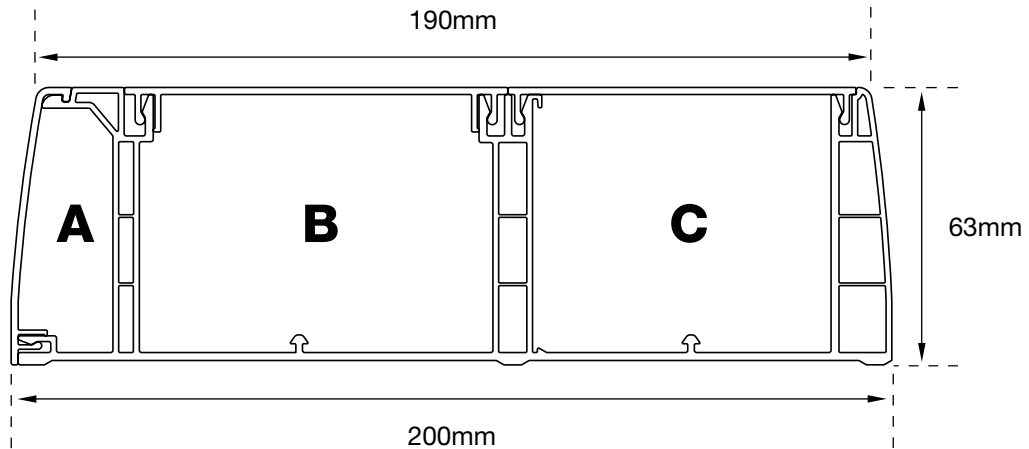


MT60RCDH*
RCD/MCB DIN RAIL HOUSING UNIT
* Pack includes: Hinged Cover, Mounting Frame, Mounting Bracket. Marco Locking Mechanism available.
PACK SIZE: 1



SECURITY FITTINGS
Please add suffix - SF to the standard catalogue number.

BL-BLUE CH-CHARCOAL LG-LIGHT GREY



Dimensions & Cable Capacities

Data Cable Diameter	Nominal CSA	Compartment A 1052mm ²	Compartment B				Compartment C 3970mm ²
			4609mm ²	4609mm ² & 25mm Back Box (2911mm ²)	4609mm ² & 35mm Back Box (2188mm ²)	4609mm ² & 50mm Back Box (1105mm ²)	
		45% Fill (473mm ²)	45% Fill (2074mm ²)	45% Fill (1309mm ²)	45% Fill (984mm ²)	45% Fill (497mm ²)	45% Fill (1786mm ²)
5mm	19.6mm ²	24	105	66	50	25	91
5.5mm	23.8mm ²	19	87	55	41	20	75
6mm	28.3mm ²	16	73	46	34	17	63
6.5mm	33.2mm ²	14	62	39	29	14	53
7mm	38.5mm ²	12	53	34	25	12	46
8mm	50.3mm ²	9	41	26	19	9	35
9mm	63.6mm ²	7	32	20	15	7	28
10mm	78.5mm ²	6	26	16	12	6	22

Power Cable Conductor CSA	Cable Factor	Compartment A 1052mm ²	Compartment B				Compartment C 3970mm ²
			4609mm ²	4609mm ² & 25mm Back Box (2911mm ²)	4609mm ² & 35mm Back Box (2188mm ²)	4609mm ² & 50mm Back Box (1105mm ²)	
		45% Fill (473mm ²)	45% Fill (2074mm ²)	45% Fill (1309mm ²)	45% Fill (984mm ²)	45% Fill (497mm ²)	45% Fill (1786mm ²)
1.5mm ²	8.6	55	241	152	114	57	207
2.5mm ²	12.6	36	162	103	78	39	139
4mm ²	16.6	28	124	78	59	29	107
6mm ²	21.2	22	97	61	46	23	84

Typical cable loading information in line with wiring regulation BS 7671 (45% CSA Fill)

Standards

ELITE 60 trunking system meets and exceeds the requirements for:
BS6701, ISO/IEC11801(ED2.0 Amd 2) and
Cenelec (BSEN50173 Part 1 / 2, BSEN50174-2) BS4678 Pt 4, BS7671 (IEE regs)