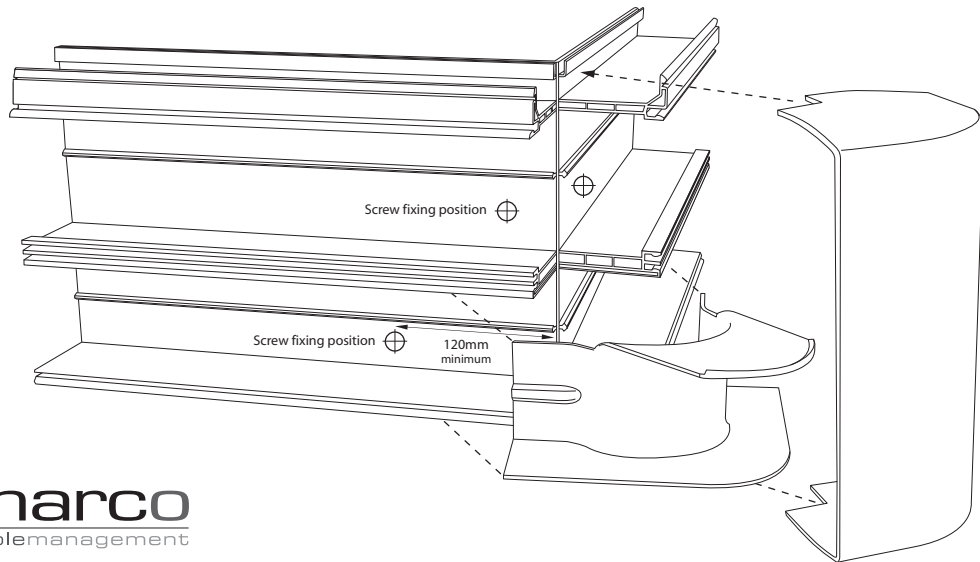


1. Securely fix trunking base to the wall. In the Data (lowest) compartment do not place fixing screws within 120mm of corner.
2. Place the 50mm Radius Insert into the Data compartment and clip into place prior to wiring.
3. Once the wiring has been completed and the trunking lid has been fitted clip the outer cover into place.



Apollo 60 Data Trunking - Internal Angle - MT60I

www.marcocableman.co.uk

1. Securely fix trunking base to the wall. In the Data (lowest) compartment do not place fixing screw within 70mm of corner.
2. Place the 50mm Radius Insert into the Data compartment and push into place prior to wiring.
3. Once the wiring has been completed and the trunking lid has been fitted clip the outer cover into place.

